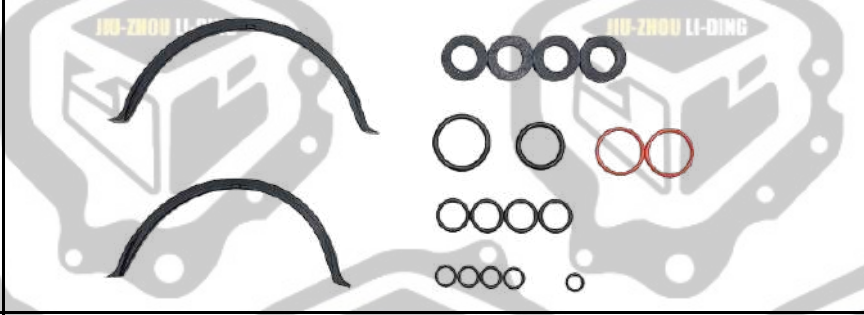

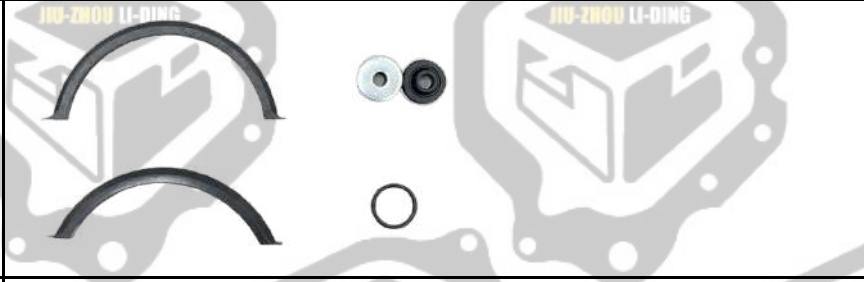
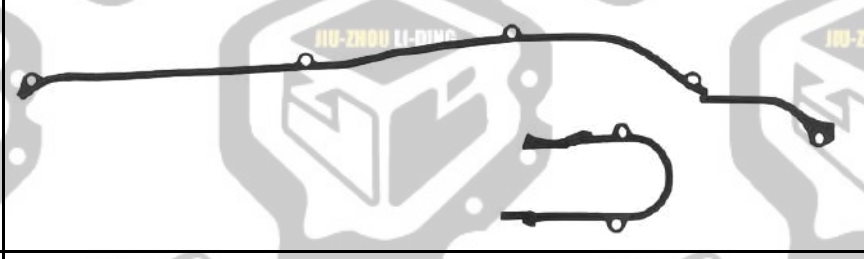

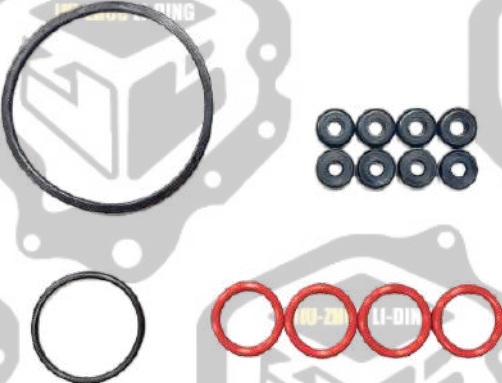
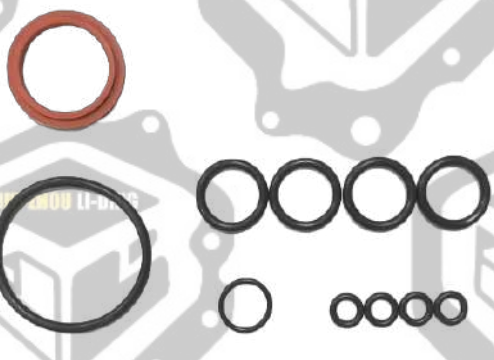











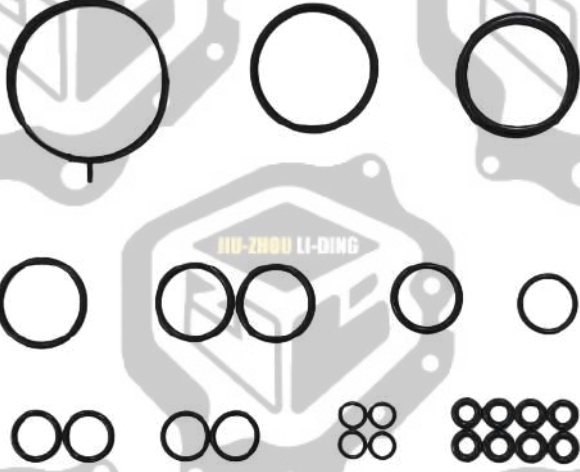
# NISSAN

NO.	CAR INFO.	RUBBER KITS
1	CG10DE, CG13DE	
2	CG10DE/MA13	
3	E13	
4	E13S/E15S TC	
5	ED33	








# NISSAN

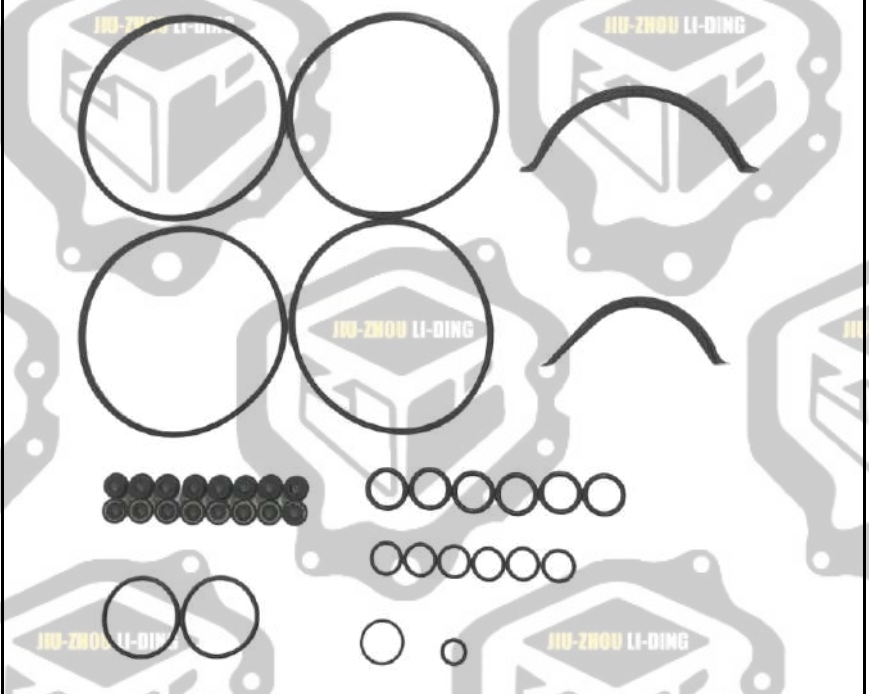
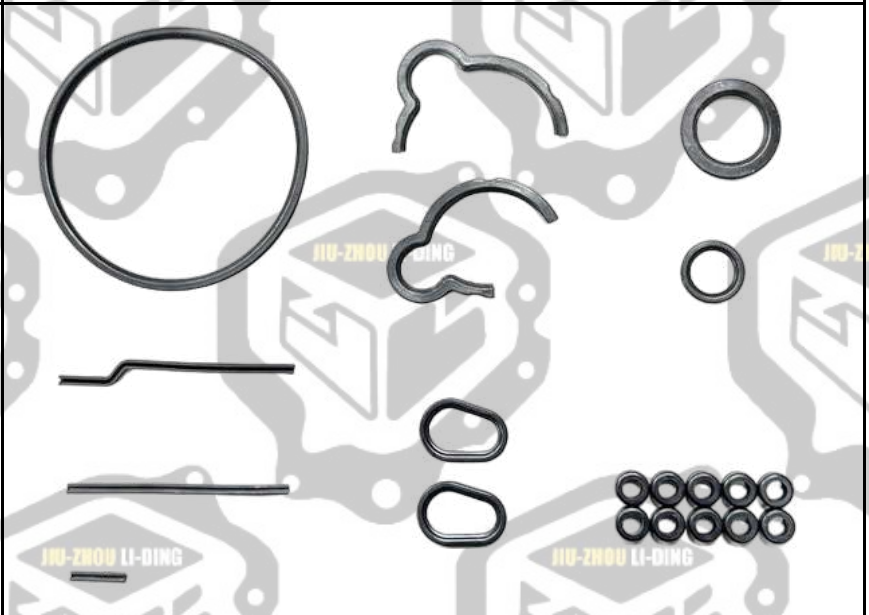
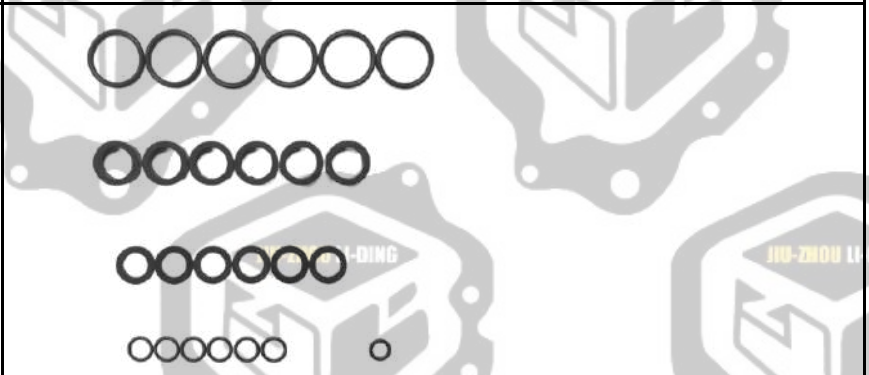

NO.	CAR INFO.	RUBBER KITS
6	FD33T	
7	GA16DE	
8	H20/E25	
9	J13.J15.J18	
10	KA24DE	

# NISSAN

NO.	CAR INFO.	RUBBER KITS
11	KA24DE	
12	L24	
13	L28	
14	MA13, CG10DE	
15	P40	
16	PF40	
17	QR25DE	

# NISSAN

NO.	CAR INFO.	RUBBER KITS
18	SD23	
19	SD25	
20	SD33	
21	SD33	
22	TD27/QD32	
23	VG30DE	
24	VG30DE	

NO.	CAR INFO.	RUBBER KITS
25	VG30DE	 <p>The rubber kit for VG30DE includes: two large circular O-rings, two medium circular O-rings, two curved gaskets, a row of 12 small circular O-rings, two rows of 6 medium circular O-rings, two pairs of small circular O-rings, and one single small circular O-ring.</p>
26	VG30DETT	 <p>The rubber kit for VG30DETT includes: one large circular O-ring, two irregularly shaped gaskets, two small circular O-rings, two long thin strips with a central notch, two pairs of small circular O-rings, and a row of 12 small circular O-rings.</p>
27	VG33E 上	 <p>The rubber kit for VG33E 上 includes: two rows of 6 medium circular O-rings, one row of 6 small circular O-rings, and one single small circular O-ring.</p>
28	VG33E	 <p>The rubber kit for VG33E includes: two curved gaskets.</p>

# NISSAN

NO.	CAR INFO.	RUBBER KITS
29	VG33E	
30	VK56DE	
31	VQ20	
32	VQ20DE.VQ30DE.VQ35DE	
33	VQ35DE	
34	Z20S	

# NISSAN

NO.	CAR INFO.	RUBBER KITS
35	Z24S	