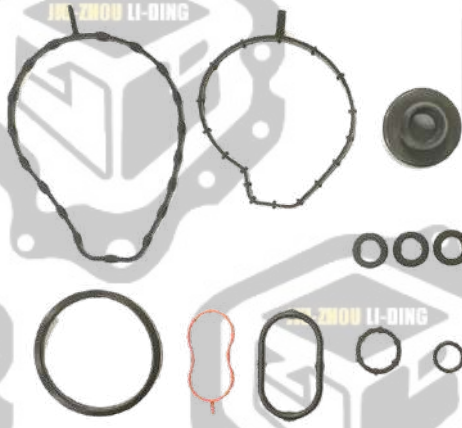



DAIHATSU

NO.	CAR INFO.	RUBBER KITS
1	1KRF	 A collection of rubber components for the 1KRF model, including two large teardrop-shaped seals, a circular cap, a large circular O-ring, a red U-shaped seal, a black U-shaped seal, and several small circular O-rings of various sizes.
2	HC-E, FS	 A collection of rubber components for the HC-E, FS model, including two long, thin rectangular seals, a large circular O-ring, a smaller circular O-ring, and two small circular O-rings.