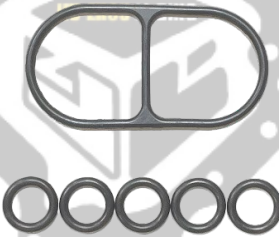
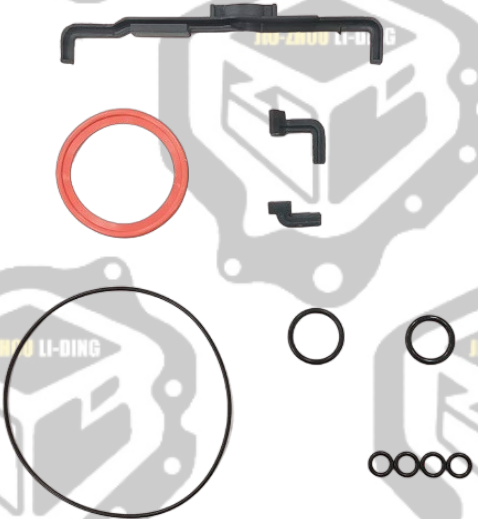
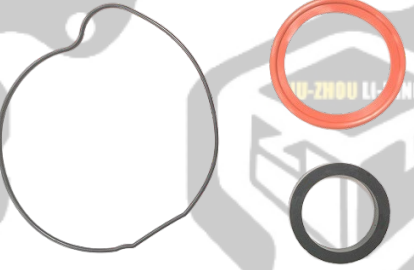
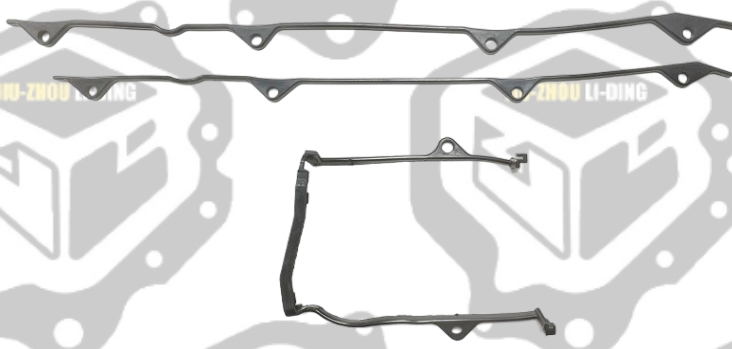





# MAZDA

NO.	CAR INFO.	RUBBER KITS
1	BP	 A rubber kit for the BP model, consisting of a large, complex black rubber seal with two distinct lobes at the top, and a row of five small black O-rings below it.
2	F2	 A rubber kit for the F2 model, including a long black U-shaped seal, a red circular O-ring, a black L-shaped seal, a large black circular O-ring, a small black circular O-ring, a black circular O-ring, and a row of four small black O-rings.
3	FE	 A rubber kit for the FE model, featuring a large black irregularly shaped seal, a red circular O-ring, and a black circular O-ring.
4	FE TC SET	 A rubber kit for the FE TC SET model, containing two long black U-shaped seals and one large black rectangular seal.
5	KL	 A rubber kit for the KL model, including a large black irregularly shaped seal, a red circular O-ring, a black circular O-ring, a black circular O-ring, and a small black circular O-ring.

# MAZDA

NO.	CAR INFO.	RUBBER KITS
6	T3500	
7	VA / E2000	
8	WL	