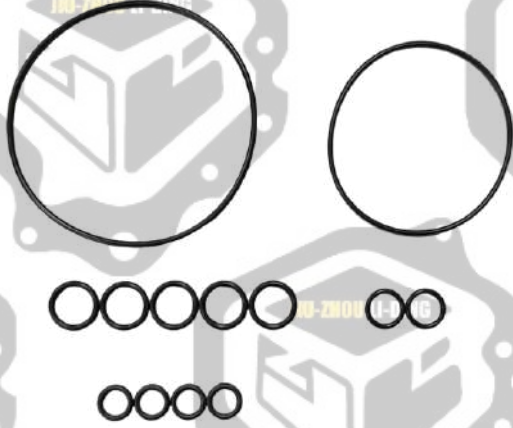





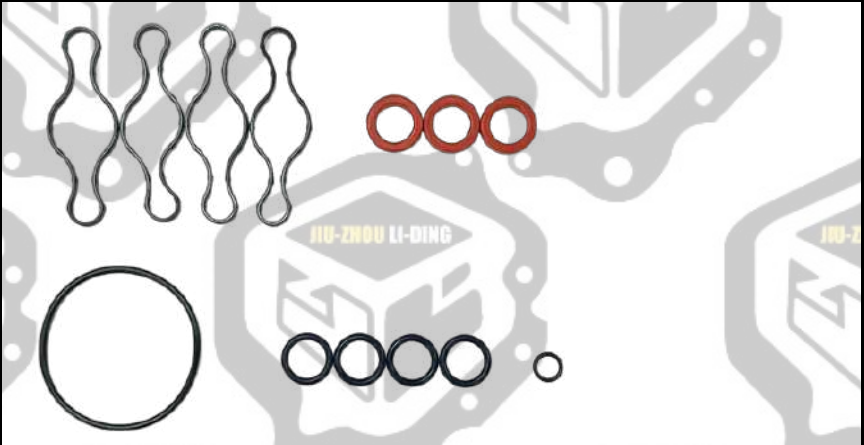



MITSUBISHI

NO.	CAR INFO.	RUBBER KITS
1	4D32/D4AF	
2	4D34	
3	4D56	
4	4DR-5	




MITSUBISHI

NO.	CAR INFO.	RUBBER KITS
5	4G54	 <p>Rubber kit for 4G54, including a large black O-ring, a semi-circular black seal, two black O-rings, a small black O-ring, two black O-rings, and a row of four small black O-rings.</p>
6	4G63B SP	 <p>Rubber kit for 4G63B SP, including four black O-rings with a small protrusion on one side.</p>
7	4M42	 <p>Rubber kit for 4M42, including four black O-rings with a wavy shape, three red O-rings, a large black O-ring, and a row of five small black O-rings.</p>
8	4M42	 <p>Rubber kit for 4M42, including four black O-rings with a wavy shape and one small black O-ring.</p>

MITSUBISHI

NO.	CAR INFO.	RUBBER KITS
9	6D14T	
10	6D22,6D40,6D24T	
11	6DB	
12	6DS7	

MITSUBISHI

NO.	CAR INFO.	RUBBER KITS
13	CE12S	 The rubber kit for the CE12S model includes two pairs of green and black O-rings, a large black O-ring, two small black O-rings, and one medium black O-ring.
14	G54B	 The rubber kit for the G54B model includes a large black O-ring, a semi-circular black seal, four black O-rings, and a set of eight small black O-rings arranged in two rows of four.
15	G63BT	 The rubber kit for the G63BT model includes a large black O-ring, a semi-circular black seal, six black O-rings arranged in two rows of three, and a set of eight small black O-rings arranged in two rows of four.