
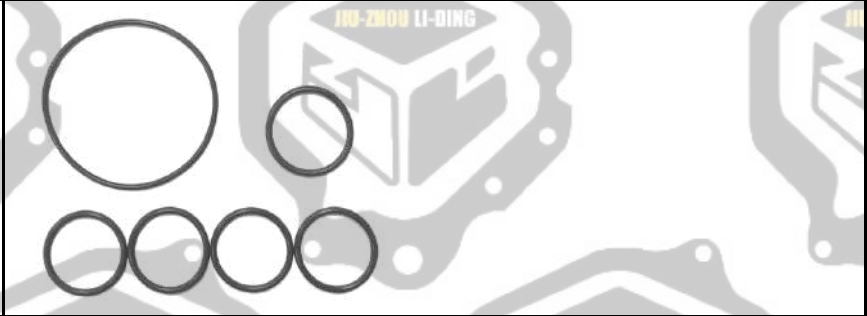


PEUGEOT

NO.	CAR INFO.	RUBBER KITS
1	P504.P505	 The image shows a rubber kit for Peugeot P504.P505. It includes two black O-rings, two black rectangular seals, and two black cylindrical seals.
2	TU3A	 The image shows a rubber kit for Peugeot TU3A. It includes one large black O-ring, one medium black O-ring, and four small black O-rings.